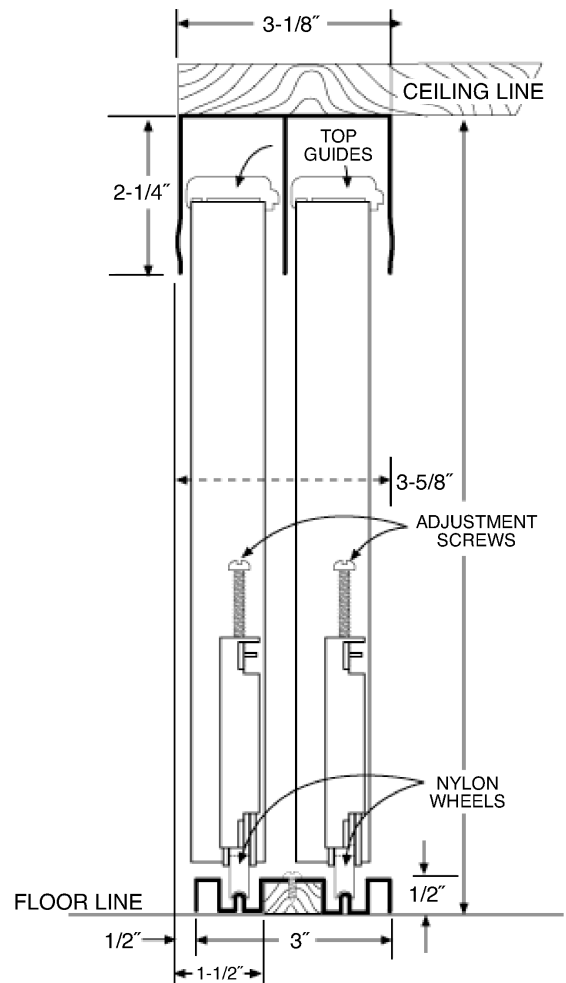




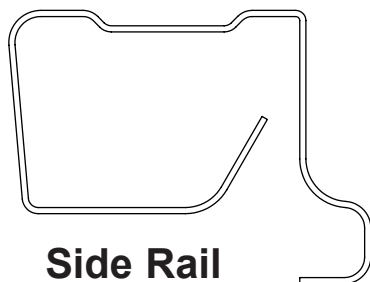
Innovative Closet Doors Like Nothing Else

CDD 1500 COLONIAL

- Raised 6-Panel Colonial design
- Prefinished Gloss White Hardboard Panels
- Heavy-duty 24-gauge steel one-piece Top Channel and Bottom Track and 26-gauge frame Molding
- Painted steel Frame, steel Track and Channel
- Injection-molded Top Guides for smooth operation
- Steel Back Braces are hot melted (glued) to each Panel for added strength and rigidity
- Bottom rolled with jump-proof Track
- 1 1/2" diameter wheels in extra-heavy 18-gauge steel Housing
- Standard opening width: 36", 48", 56", 60", 64", 72", 84", 96", 108", 120", 144"
- Standard opening height: 81" and 96"



CDD 1500 Colonial



Side Rail

